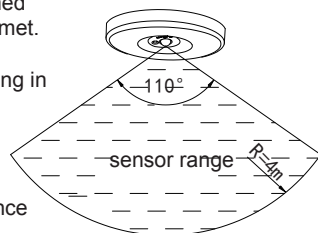


## Specification

type	rated voltage	rated power	power factor (COS $\phi$ )	rated current
MX007a-S-LED8W-4000K	220V ~	8W (16x0.5W/LED module)	0.5	0.08A
MX007a-S-LED8W-5700K				

## Function Introduction

- This product is PIR & light sensor ceiling light. When the light is connected to the power, it will be turned on for 10s and be turned off later. It won't be turned on unless certain requirements are met.
- Light on requirement: The light amount of the space where the product is installed is less than 18lux, while there is human being in the sensor range.
- Light out requirement: The light amount of the space where the product is installed is more than 18lux, while there is no human being in the sensor range.
- PIR sensor range: Sensor angle is within 110°, while the distance between human being and the sensor receiver is within 4m.
- Light out time after the product is turned on: 60s after human being is out of the sensor range.



## Repair • Maintainance

- Please clean and check the fixture regularly (every 6 months) to make sure the fixture can be used high efficiently. Accidents like fire, shocking, falling may happen due to a long time usage without checking.
- Please wring up a piece of soft cloth dipped with neutral cleanser to clean the fixture. Clean it again with a piece of dry cloth. Please don't use sharp things to touch the surface of the cover.
- Please don't spray the fixture with any non-neutral cleanser, organic solvent or pesticide which may cause the color change, the deterioration, the strength decrease and the damage of the fixture. Please don't use the prohibited cleansers above to clean the cover to avoid erosion or scratch.



Please shut off the power to avoid shocking.

# IIN'E'S'A

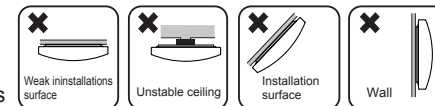
## Instruction Book of Fixture (LED Ceiling Light with PIR Sensor) for Home Application

To Customers

Thanks for buying our product.  
Please read the instruction book carefully before using.  
Please keep this instruction book well for later use.

## Safety Cautions

### Warnings



- Please don't change the structure or replace parts of the fixture arbitrarily to avoid accidents caused by its falling, shocking, fire etc.
- Please don't install the fixture in the situations listed on the top right corner. This fixture can only be installed on the ceiling. Falling, shocking, fire may occur due to incorrect installation.
- Power used should be within rated range (rated voltage 220V~  $\pm 10\%$ , frequency 50Hz). The fixture will be overheated if it's used with over rated voltage for a long time, which may lead to fire.
- Please don't use the fixture together with dimming devices such as light controller, brightness switch, etc. Please don't use light controller, brightness switch or any dimming devices additionally in order to prevent from catching fire.
- Please don't leave any high-temperature or flammable things under the fixture to avoid accidents like fire.
- Please cut off the power and contact with the agency if the fixture is abnormal, which can prevent from catching fire.

### Cautions

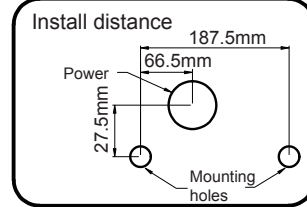
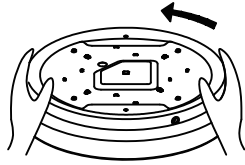
- Please install the fixture according to the instruction book. Incorrect installation may cause accidents like falling, shocking, fire etc.
- Please don't use the fixture in damp spaces like bath room, etc. Incorrect use may cause accidents like shocking, fire etc. because this fixture is not water-proof.
- Please cut off the power before any repair or maintainance to avoid shocking.
- Please ask professional electrical operator to check and maintain the fixture for your consideration. Accident may happen due to some improper operation by non-professional operator.
- Please take away the package accessories before installation. Please make sure that all the package accessories and tapes have been taken away before installation in order to prevent from fire.
- LED light source is different from normal one, which cannot be replaced by users. Considering that improper operation may cause accidents like fire.
- Please don't look at the light output area to avoid any discomforts of the eyes.

Please obey the rules of this instruction book to prevent the damage of your body and the loss of your property.

# Names of Each Part and Installation Instruction

## Preparations before installation

- Please hold the two sides of the cover with hands and rotate it anticlockwise to take it down.
- Please hold the two sides of the fixture with hands and rotate it anticlockwise to take down the cover.
- Please confirm the installation distance.

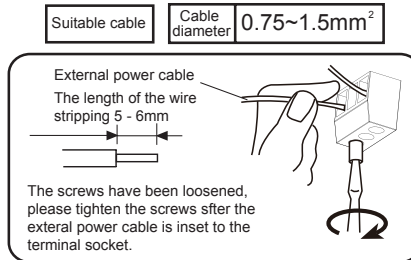


## Installation of the fixture

- Pass the external power cable through the hole to the connector.
- Install the fixture to the fixing position on the ceiling with two screws after confirming the installation distance.
- \* Improper installation may cause noise and falling accident.

## Connecting of the power cable

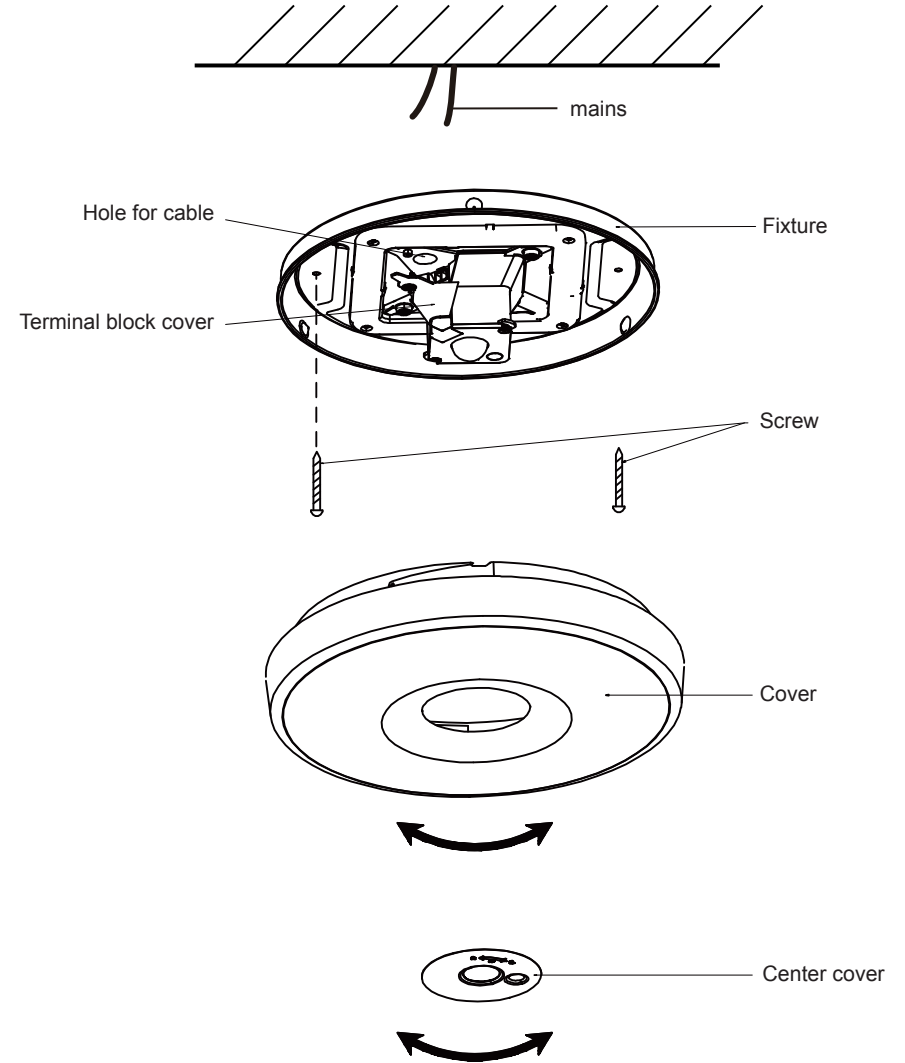
- Loosen the screw of the terminal block cover and take away the terminal block cover.
- Please cut off the power before connect the fixture to the external power for safety consideration.
- Insert the cable into the terminal block and tighten the screws on the terminal block. The external power cable is fixed.
- Straighten out the fixed external power cable. Tighten the screw after the cover is put on the terminal block.



- 【Caution】** Too much pressure may damage the parts of the fixture.  
**【Caution】** The load of the terminal block is 10A. Improper connection or overload may cause fire.

## Installation of the Cover

- Hold the two sides of the cover to inset it to the fixture.  
**【Caution】** please align the three hollow parts on the outside of the cover to the three bossy parts on the inside of the fixture.
- Rotate the cover clockwise until it's tightened, which means the cover is fixed.  
**【Caution】** Please hold the strong part of the cover to rotate, which can prevent the cover from damage or falling off.  
**【Caution】** Don't use too much pressure to rotate the cover, which can prevent the cover from damage or falling off.
- \* Improper installation may cause the falling off of the cover.
- Inset the central cover to the fixture and rotate it anticlockwise to the locking position.  
**【Caution】** Improper installation of the central cover during the process of inseting may cause the damage of the parts.



(Different type has different cover shape.)

Please shut off the power before installation and maintenance.