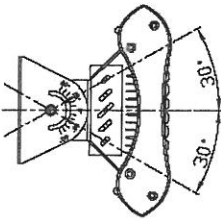


ADJUSTABLE ROTATING ANGLE:



The adjustable rotating angle is 30 degrees to the left and right.

WIRING INDICATIONS:

Phase (L)	Red (Brown)
Neutral (N)	Black (Blue)
Protective earth (PE)	Yellow green

Note: The original wiring of the fixture shall be in the form of "Z", and the external soft cable or soft cord is not replaceable, if wire is broken, the fixture shall be rejected.

USAGE AND MAINTAINANCE:

1. The wiring shall be done correctly.
2. The fixture yellow/gree line shall be well grounded.
3. The installation place of fixtures shall be well ventilated, without corrosive, no flammable or explosive substances around.
4. During reparation or changing power, the power must be off, in order to avoid electric injury accident.
5. The rated voltage is 100-240V.

If you have any doubt regarding the installation and usage of relative lightings, please contact our company for more information.

INESA

ZQ516-LED TUNNEL LIGHT SERIES INSTRUCTION

Distributor: INESA EUROPA KFT

Add.: Hungary 2120 Dunakeszi Bagoly u 5

Email: inesa@gmail.com

Tel: 0036-27-544-112

ZQ516-LED Tunnel Fixture series operating manual

ZQ517-LED Tunnel fixture series adopt the CREE chips of the highest class, with excellent fixture efficacy, superior color rendering, which is applicable for the lighting of high-grade urban road, elevated road, large-scale overpass, city square and factory. The electrical parts of this series of lights adopt constant-current driving power, which enables the light with abundant advantages, such as great light color, high light efficacy, long life span, easy installation, safe and reliable.

PRODUCT FEATURES:

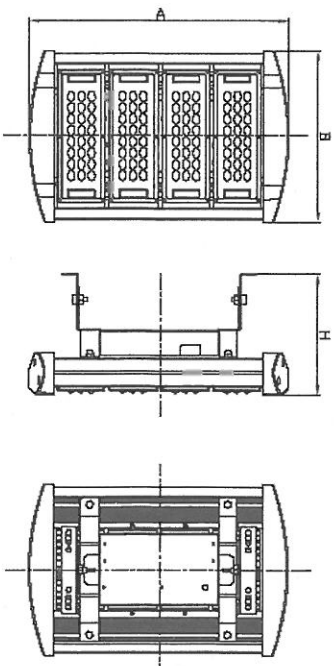
1. Environment-friendly: Strong direction, high efficacy of LED lights, no pollution light occurs. LED lights don't contain infrared or ultraviolet rays, so they are without inducitivity to insects. LED lights don't contain Hg or other environmentally harmful materials, so they cause no damage to the environment.
2. Excellent color rendering: the illuminated object is able to show truer color.
3. Fast response speed: the response speed of LED lights is so fast that it eliminates all defects of traditional high-voltage sodium lights during ignition.
4. Long life span: lights' life span exceeds 35000hrs.

PRODUCT BASIC SPECIFICATIONS:

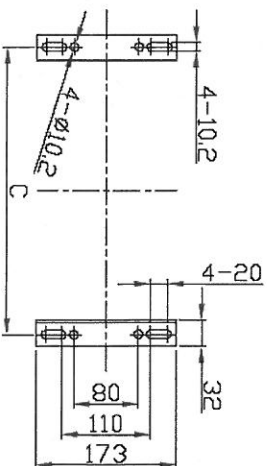
Model	ZQ516a-LED090	ZQ516b-LED120	ZQ516c-LED150	ZQ516d-LED180	ZQ516e-LED060
LED quantities	90	120	150	180	60
Product dimensions	A=410mm B=340mm H=240mm	A=512mm B=340mm H=240mm	A=614mm B=340mm H=240mm	A=716mm B=340mm H=240mm	A=385mm B=340mm H=240mm
Installation dimensions	C=332mm	C=332mm	C=332mm	C=332mm	C=332mm
Product weight	9Kg	10.7Kg	12.4Kg	14Kg	7.4Kg
Rotating angle	±30°	±30°	±30°	±30°	±30°
Life	35000h				
Working Ambient temperature	-30~45℃				
Working/Input voltage	98~242V				

Note: CCT and Luminous flux are adjustable according to needs. If light source module is broken, it could be replaced by a specially appointed person by our company.

PRODUCT DIMENSIONS:



INSTALLATION DIMENSIONS:



PHOTOMETRY:

